



## *Vertical Control* **Power Grip**

Congratulations on your purchase of the ProMaster Vertical Control Power Grip for the Sony A6500. This battery grip will provide longer shooting times for your camera, comfortable photography when taking vertical-orientation shots, and a more stable overall camera rig which reduces the chance of shake and blur.

To ensure proper operation, please read this manual thoroughly before using this product.

This grip is specially designed for the Sony A6500 camera. It is equipped with an alternate shutter button for easy shooting in a vertical position. This battery grip can hold two NPFW50 rechargeable Li-ion batteries to extend your shooting time. And it supports internal USB charging of both batteries.

### **Warning**

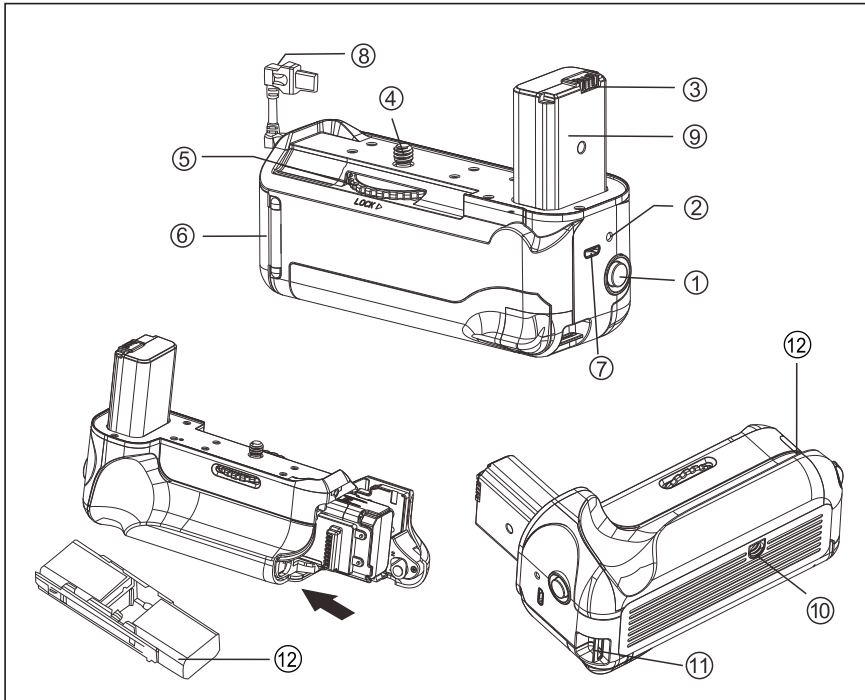
- This product should only be used with compatible devices specified in this instruction sheet.
- Use **ONLY** with the batteries and battery holders recommended.
- Do not have batteries installed in the grip when mounting it to the camera or removing it from the camera.
- Remove batteries from the grip when not in use for an extended period.
- Do not disassemble or repair this product yourself. Doing so will void your warranty.
- Avoid water or extreme humidity and be sure to store in a cool, dry location.
- Do not dispose of in fire or extremely high temperature environment.
- Keep the product and parts away from children to avoid hazard from swallowing.
- Do not attempt to use the camera with this grip installed while it is also charging batteries using its Charging connection port (7). Damage to your camera may result.

**Code 8616**

Made in China

**WWW.PROMASTER.COM | FAIRFIELD, CT 06825**

## Part Names



- |                             |                             |
|-----------------------------|-----------------------------|
| 1) Shutter button           | 7) Charging connection port |
| 2) Charging indicator light | 8) Signal cable             |
| 3) Electrical contacts      | 9) Dummy battery            |
| 4) Attachment screw         | 10) Tripod socket           |
| 5) Attach/detach knob       | 11) Strap connector         |
| 6) Battery compartment      | 12) Battery tray            |

## Specifications

Power Source	2 x NPFW50 batteries
Compatible Cameras	A6500
Operating Temperature	0°C to 40°C ( 32°F to 104°F)
Dimensions	Approx. 5 1/8" x 2 1/4" x 3 1/2"   130mm x 57mm x 89mm
Weight (with 1 tray/ no batteries)	Approx. 4 3/4 oz   135 g

## One Year Unconditional Warranty

If for any reason, this ProMaster product fails within ONE YEAR of the date of purchase, return this product to your ProMaster dealer and it will be exchanged for you at no charge. ProMaster products are guaranteed for ONE FULL YEAR against defects in workmanship and materials. If, at any time after one year, your ProMaster product fails under normal use, we invite you to return it to ProMaster for evaluation.

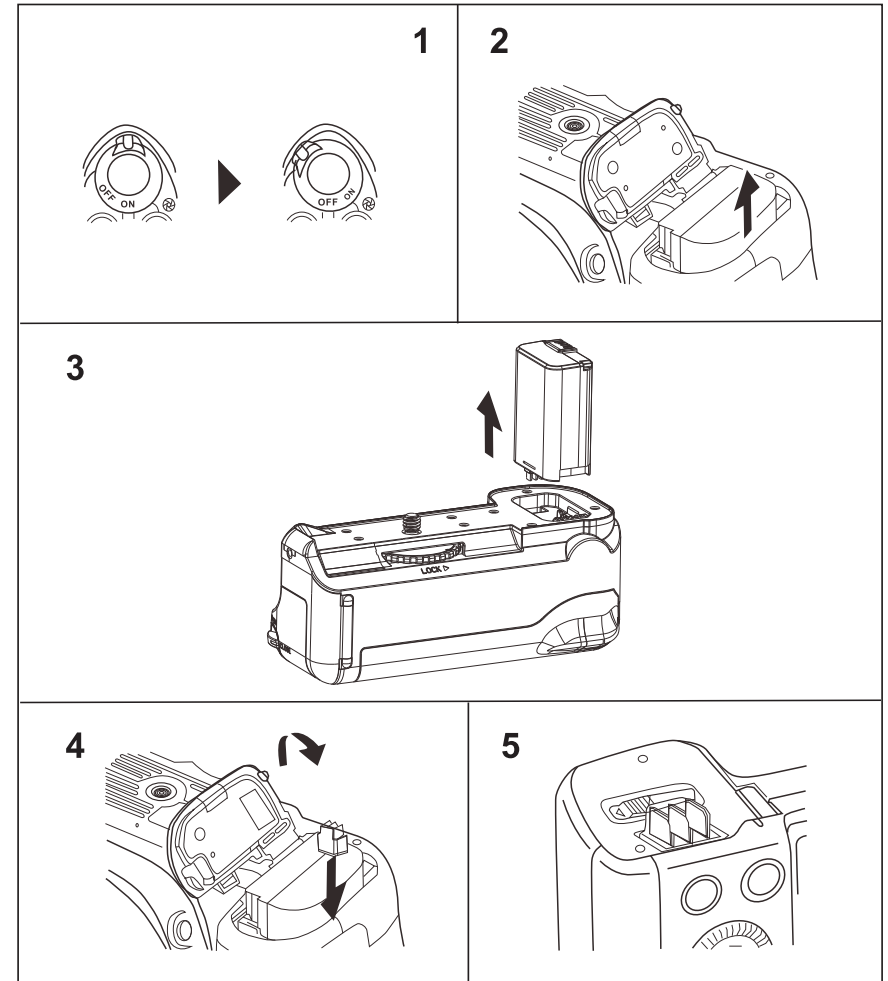
## Operation and Use of the Grip

1. You can use the USB charging cable included with your camera to charge one or two batteries while installed in the grip. To do this you must connect the cable to the Charging Connection Port (7) on the grip, NOT the camera's charging port. The Charging Indicator Light (2) will turn red during charging and then change to green when complete. \* see notes below
2. Your camera must be turned ON for the grip to operate.
3. Use the grip's Shutter button (1) to comfortably auto focus and take photographs while holding your camera in a vertical position.
4. Use the Tripod socket (10) to mount your grip and camera to a tripod or quick release plate.
5. This grip includes two NPFW50 battery trays (12) so you can carry spare power and change battery trays very fast. However, always be sure to turn off power to your camera before changing batteries.

### \*Notes:

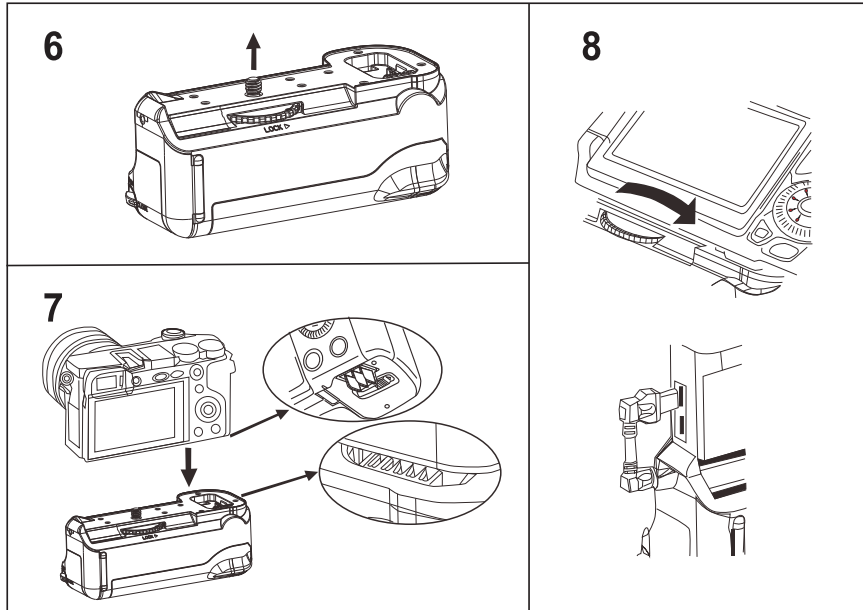
- Do not attempt to use the camera with this grip installed while it is also charging batteries using its Charging connection port (7). Damage to your camera may result.
- It is highly recommended you remove the grip from the camera and perform charging routines without the grip attached to the camera. This will ensure the best protection for your camera's delicate internal circuitry against any unexpected power spikes.

## Attaching To Your Camera



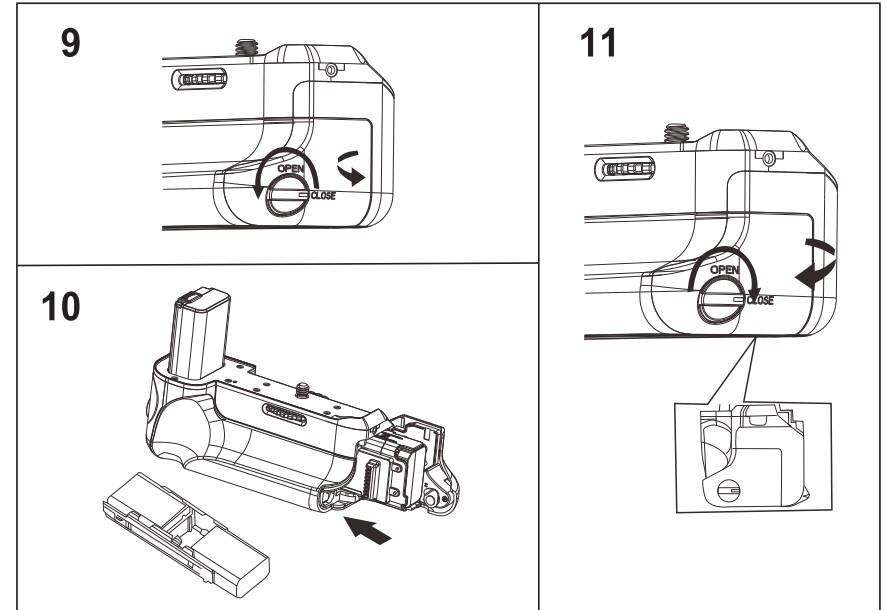
1. Be sure the camera is switched OFF.
2. Remove the camera's battery.
3. Detach the Dummy battery (9) from the grip by simply pulling on it.
4. Install the Dummy battery (9) into the camera's battery compartment.
5. When you close the door to the camera's battery compartment notice the 3 electrical connectors from the Dummy battery (9) will protrude through a small hatch in the battery compartment door of your camera.

## Attaching To Your Camera



6. Align the grip with the camera using the Attachment screw (4).
7. As you mount the grip to the camera be sure the dummy battery connectors line up with the grip's battery connectors.
8. Tighten the grip to the camera by turning the Attach/detach knob (5) in the direction of the LOCK arrow. Now connect the Signal cable (8) to the grip (just above the Battery compartment door) and also to your camera's micro USB port.

## Installing The Batteries



9. Open the grip's Battery compartment (6) by turning the battery door knob counter-clockwise to OPEN. It will spring open.
10. Remove the Battery tray (12) by pushing on the small lever inside the compartment. A small arrow near the lever shows the proper direction to push it. Slide out the tray and install one or two NPFW50 batteries into the tray.
11. Reinsert the tray into the grip. Close the Battery compartment (6) by pushing the door shut and turning the battery door knob clockwise to CLOSE.